



### Standards

EN405: 2001+A1:2009 FFA1P3 D  
CE 0194

### Efficiency

P3 >99,95% for 0,3 µm particulate  
At 1000 ppm:  
A1 >70 minutes cyclohexane (C<sub>6</sub>H<sub>12</sub>)

### Shelf Live

3 years (mask & filters) See storage conditions on Instructions for Use.  
Filters are re-usable .

### Weight

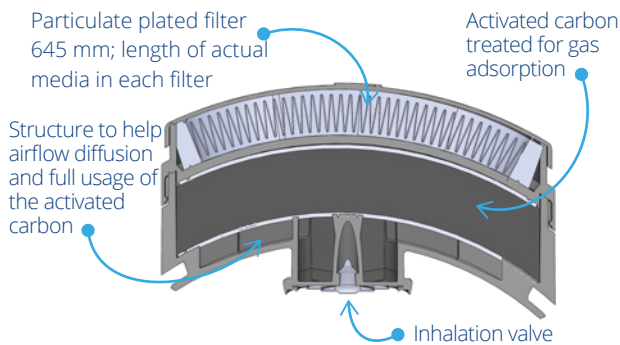
Mask + Filter: net (S/M) 267 g; (M/L) 271 g  
gross (S/M) 337 g; (M/L) 341 g

### Material

- **Mask:** Medical grade TPE Conforms to ISO 10993-10: 2010 for irritations. Mask body latex and silicone free, odour free. Valve Body in Nylon, Inhalation/Exhalation diaphragm in Silicone. 4 point adjustable elasticated head and neck strap with comfort pad in TPE.
- **Gas Filters:** Activated carbon sealed into a ABS Shell.
- **Particulate filters:** Mechanical type multi-layer HESPA Synthetic media with TPE flexible overmolded / encapsulated. Particulate filters are integrated permanently with the carbon element.

### Production

United Kingdom, Italy, Romania  
100% of filters NaCl Tested



Code	Description	Quantity
SPR359 (S/M) SPR504 (M/L)	Elipse Half Mask complete with A1P3 filters	10 pcs. per box
SPM008	Elipse Low Profile Mask Carry Case (Belt holder)	10 sets per box

## Applications - Organic gases, dust, mist and fumes

### Welding



Metal Fumes and Dust in confined space (gas welding)

### Construction



Paint, Moulds.

### Car & Ship Repair



Epoxite, Paint, Solvents

### Manufacturing



Solvents, various Organic Gases

### Agriculture



Pesticides