



Standards

EN140: 1998 Mask Body
EN14387: 2004 + A1: 2008 ABE1P3 R D
EN166 Class 2.F. K.N.
(Anti-Fog & Anti-Scratch)
CE 2797

Efficiency

P3 >99,95% for 0,3 µ particulate
At 1000 ppm:
Cyclohexane (C₆H₁₂) > 70 minutes
Chlorine (Cl₂) > 20 minutes
Hydrogen sulphide (H₂S) > 40 minutes
Hydrogen cyanide (HCN) > 25 minutes
Sulphur dioxide (SO₂) > 20 minutes

Shelf Life

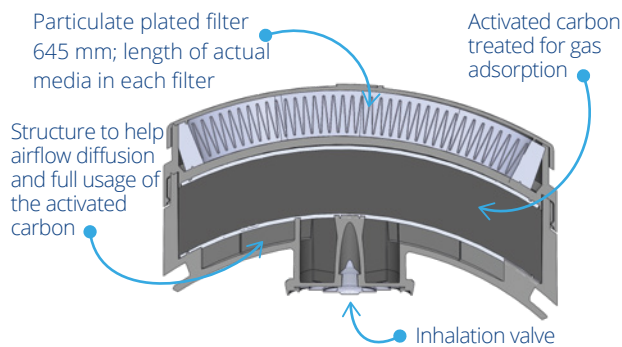
3 years (mask & filters) See storage conditions on Instructions for Use.
Filters are re-usable and changeable.

Material

- Mask:** Medical grade TPE Conforms to ISO 10993-10: 2010 for irritations. Mask body latex and silicone free, odour free. Valve Body in Nylon, Inhalation/Exhalation diaphragm in Silicone. 4 point adjustable elasticated head and neck strap with comfort pad in TPE.
- Gas Filters:** Activated carbon sealed into a ABS Shell.
- Particulate filters:** Mechanical type multi-layer HESPA Synthetic media with TPE flexible overmolded / encapsulated. Particulate filters are integrated with the carbon element.
- Goggle:** Polycarbonate with flow coating overmolded into soft TPE, permanently attached to the mask body by stainless steel clips.

Production

United Kingdom
100% of filters NaCl Tested



Code	Description	Quantity
SPR583 (S/M) SPR584 (M/L)	Integra ABEK P3 Reusable Half Mask for multiple Gases and Vapours and Dust	10 pcs. per box
SPR582	ABE1P3 Replacement filters	5 sets of 2 pcs. per box
SPM520	Peel off visor x 10	10 sets per box
SPR420	Kit of Prefilter Kits (2 holder 10 pads)	10 kits per box
SPM421	Kit of Prefilters (20 pads)	10 kits per box

Applications - Universal gases, dust, mist and fumes

Type

	A
	B
	E
	K
	P

Protection

organic gases and vapours with a boiling point above 65°C
inorganic gases and vapours (excluding carbon monoxide)
sulphur dioxide and other acidic gases and vapours
ammonia and organic ammonia derivatives
dust

